

GX100NX2

ENHANCED 1M Maritime Global Xpress Terminal



FEATURES

2.5GHZ WIDE KA-BAND SUPPORT

The GX100NX 2 has a full range-optimized reflector and radome supporting high speed Ka-band services, which covers the entire commercial Ka 2.5GHz wide frequency band range. GX100NX 2 supports dual-polarization and can transmit and receive both LHCP and RHCP of Ka-band circular polarization.

ALL-IN-ONE BELOW DECK TERMINAL

All-In-One GX BDT integrates ACU, GX modem, power supply, 4-port switch and GX Mediator. Mediator function is embedded in BDT which is capable of controlling and managing two GX antenna systems simultaneously to assign Primary BDT and Secondary ACU without a mediator box. This 19 "1U size BDT can be easy to install in the FX rack, reducing installation time and costs.

HIGH POWER UPGRADABLE

The GX100NX2 terminal use an integral unit of multi-band BUC and LNB arranged in a 4.5W Transceiver. The system with Transceiver can use dual polarization for both Tx and Rx with several possible topologies. The GX100NX 2 can be easily upgraded with the 9W High Power transceiver. There is no need to replace the BDT and no additional components are required. Simply and easy upgrade 9W transceiver to benefit high throughput service.

QUICK & EASY INSTALLATION

The GX100NX 2 is designed to be easy to install and reduce costs for users. The system includes a single cable design, combining Tx, Rx and DC power into one single solution. The single coaxial cable is connected externally on the base of the radome with no requirement to access the inside of the radome, reducing complexity for the customer during installation and maintenance.

STANDARDIZED MODULAR COMPONENTS ACROSS NX PLATFORM

Modular components are used throughout the NX Platform, such as dynamic motor brakes with integrated encoders, Main Control Unit and skew assembly. Sharing common modules across Intellian's NX antenna series, the number of spare parts is reduced.

ANTENNA MANAGEMENT PLATFORM

Intellian's all new integrated M&C platform, AptusNX provides responsive web user interface to manage and control the antenna system regardless of device types. AptusNX includes an intelligent installation Wizard to simplify system configuration so that users can become connected faster than ever before. The platform also includes diagnosis function which enables accurate and enhanced antenna performance checks both on-board and remotely. This reduces the need for on-board maintenance and improves performance.

GX100NX2

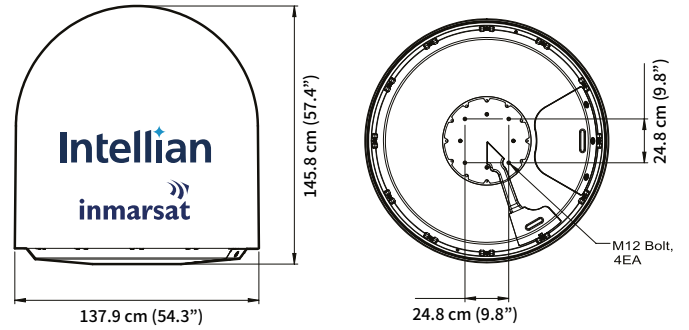
TECHNICAL SPECIFICATIONS

ABOVE DECK UNIT

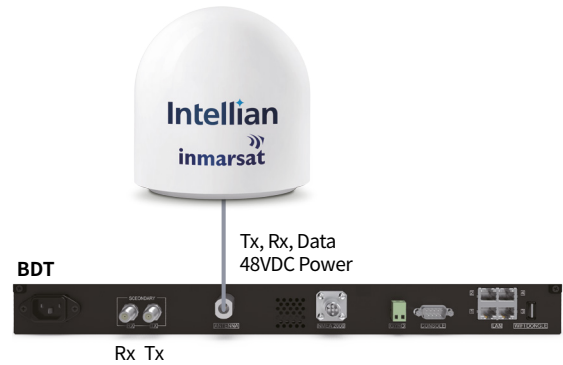
Radome Height	145.8 cm / 57.4"
Radome Diameter	137.9 cm / 54.3"
Reflector Diameter	105 cm / 41.3"
Weight	110Kg / 242lbs
Positioning	3-Axis Velocity Mode Control: Azimuth, Elevation, Cross-Level
Azimuth Range	Unlimited
Elevation Range	-20° to 115°
Cross-level Range	± 37°
Stabilization Accuracy	0.2° max in presence of specified ship motions
Tx Frequency	27.5 ~ 30.0 GHz Ka-band
Tx Gain	48 dBi @29.0GHz
Rx Frequency	17.7 ~ 20.2 GHz Ka-band
Rx Gain	44.3 dBi @19.0GHz
G/T	> 19.6dB/K @Elevation 10 degree
Transceiver Power	4.5W, 9W Transceiver
Sidelobe	Meet FCC 25.218 / FCC 25.209
Polarization	Circular Dual Polarization (Rx : RHCP/LHCP, TX : RHCP/LHCP)
Antenna Cable	Single 50 ohm Coax Cable

SYSTEM DIMENSION

ADU



SYSTEM DIAGRAM



BELOW DECK TERMINAL

Dimensions (WxDxH)	43.1 cm x 41.1 cm x 4.4 cm / 17" x 16.1" x 1.7"
Weight	5.7 kg / 12.5 lbs
Display	OLED Display
Gyrocompass Interface	NMEA 2000, NMEA 0183
Mediator Interface	GX Mediator Integrated
Modem	GX Modem Integrated
Remote Management	Yes
Wi-Fi Operation	Yes (w/ Wi-Fi dongle)
Management Port	Yes
Intellian LAN Port	Yes
Power Requirement	100 ~240 VAC, 50~60Hz, 3A

SYSTEM DIAGRAM (DUAL SOLUTION)

